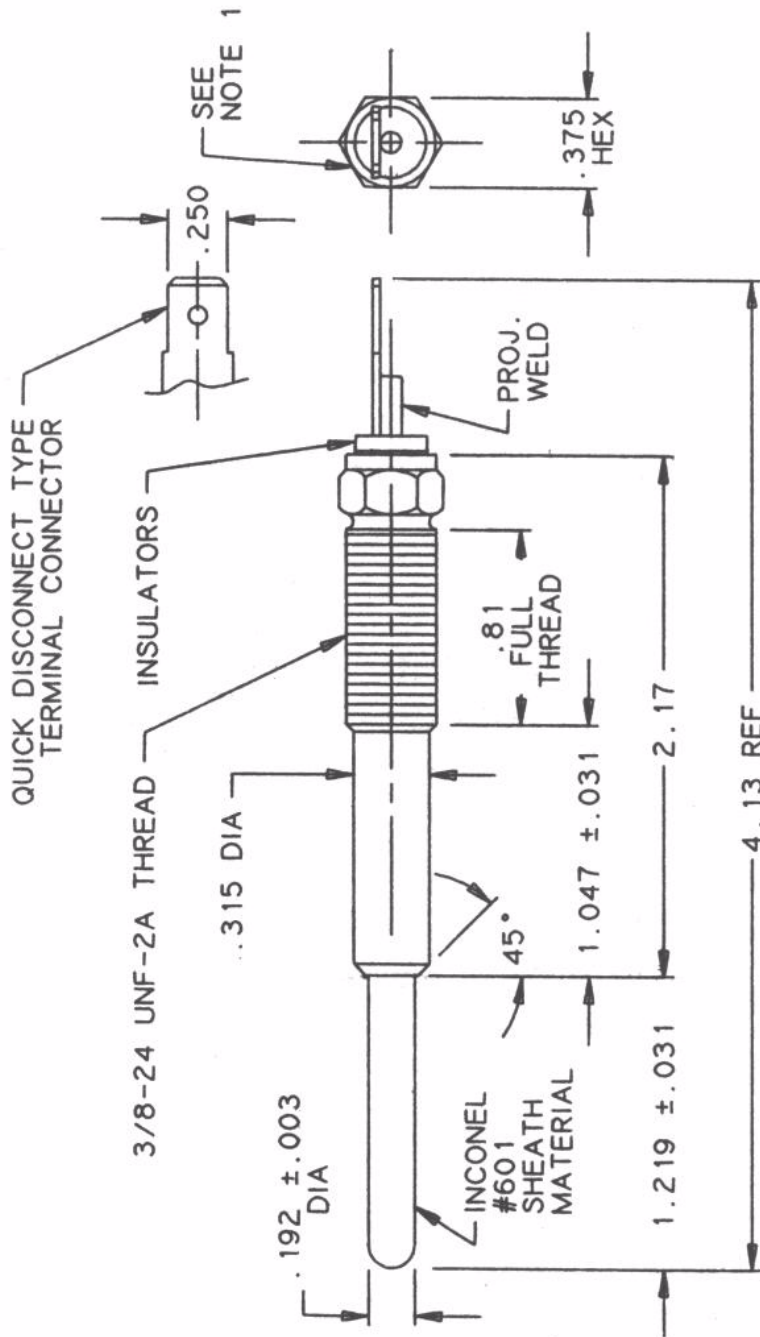


NOTE:

1. BUSHING MATERIAL - STEEL, NICKEL PLATED.



CATALOG NO.	WATTS	VOLTS	CUSTOMER PART NO.	REMARKS
6A547G7	120	24	269164	NSN 2920-00-962-3002
6A547G8	120	12		

UNLESS OTHERWISE SPECIFIED:

DIMENSIONS ARE INCHES.

SURFACES ARE:

TOLERANCES ARE:

2 PL DECIMALS: $\pm .06$

3 PL DECIMALS: $\pm .005$

FRACTIONS: \pm

ANGLES: \pm

TITLE OUTLINE

GLOW PLUG

FIRST MADE FOR CLIMAX DIV., WAUKESHA MOTOR CO.

SIGNATURES		DATE
DRAWN:	D. TURNER	10-2-67
APPROVED:	R. BAXTER	10-2-67
REISSUED:		4-14-94
PRINTS TO:		

WELLMAN

AUTOMOTIVE PRODUCTS, INC.
SHELBYVILLE, INDIANA

40A111171